



Product availability: Non-Stock - Not normally stocked in distribution facility



## Main

Range of product	Modicon STB distributed I/O solution
Product or Component Type	Basic digital output kit
Kit composition	STBXBA1000 base STBXTS1100, 6-terminal screw type connector STBXTS2100, 6-terminal spring clamp connector STBDDO3415 module
Discrete output number	4
Discrete output type	Solid state
Discrete output voltage	24 V
Discrete output voltage type	DC

## Complementary

Discrete output logic	Positive
Cold swapping	Yes
Hot swapping fallback	No for basic NIMs
Insulation between channels and logic bus	1500 V for 1 minute
Maximum load capacitance	50 MF
Product Compatibility	I/O base STBXBA1000 Power distribution module STBPDT3100/3105
Supply	Power distribution module
Marking	CE
Overvoltage category	II
Height	0.55 In (13.9 mm)
Depth	2.76 In (70 mm)
Width	5.05 In (128.3 mm)
Product Weight	0.24 Lb(US) (0.11 kg)

## Environment

Standards	EN/IEC 61131-2
Product Certifications	CSA FM Class 1 Division 2 UL
Operating altitude	<= 6561.68 ft (2000 m)

## Ordering and shipping details

Category	18215 - ADVANTYS STB I/O
Discount Schedule	PC32
GTIN	3595863989281
Nbr. of units in pkg.	1
Package weight(Lbs)	4.73 Oz (134 g)
Returnability	No
Country of origin	ID

## Packing Units

Unit Type of Package 1	PCE
Package 1 Height	1.18 In (3 cm)
Package 1 width	3.15 In (8 cm)
Package 1 Length	5.12 In (13 cm)

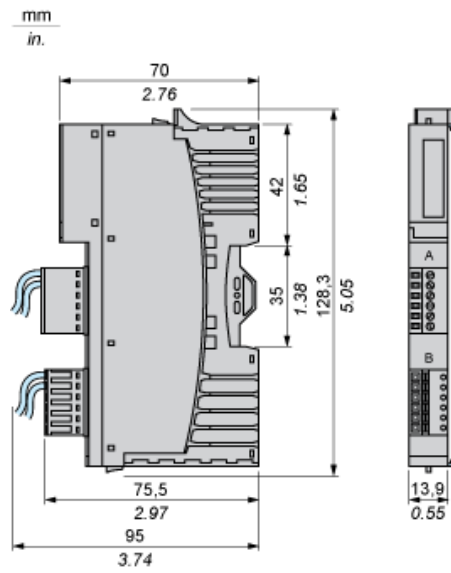
## Offer Sustainability

Sustainable offer status	Green Premium product
California proposition 65	WARNING: This product can expose you to chemicals including: Lead and lead compounds, which is known to the State of California to cause cancer and birth defects or other reproductive harm. For more information go to <a href="http://www.P65Warnings.ca.gov">www.P65Warnings.ca.gov</a>
REACH Regulation	<a href="#">REACH Declaration</a>
EU RoHS Directive	Pro-active compliance (Product out of EU RoHS legal scope) <a href="#">EU RoHS Declaration</a>
Mercury free	Yes
RoHS exemption information	<a href="#">Yes</a>
China RoHS Regulation	<a href="#">China RoHS Declaration</a>
Environmental Disclosure	<a href="#">Product Environmental Profile</a>
Circularity Profile	<a href="#">End Of Life Information</a>
WEEE	The product must be disposed on European Union markets following specific waste collection and never end up in rubbish bins.

## Contractual warranty

Warranty	18 months
----------	-----------

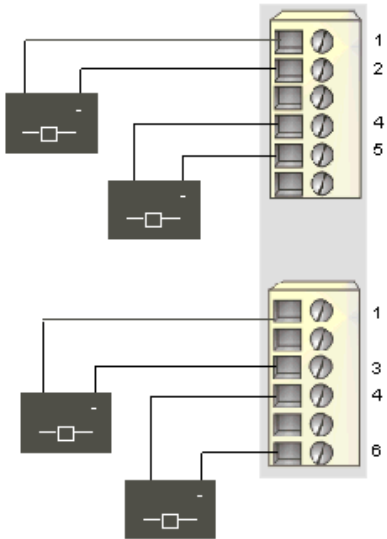
Dimensions



Wiring Diagram

Example

4 two-wire actuators



Pin	Top Connector	Bottom Connector
1	output to actuator 1	output to actuator 3
2	field power return	field power return
3	field power return	field power return
4	output to actuator 2	output to actuator 4
5	field power return	field power return
6	field power return	field power return

Product Life Status : **Commercialised**